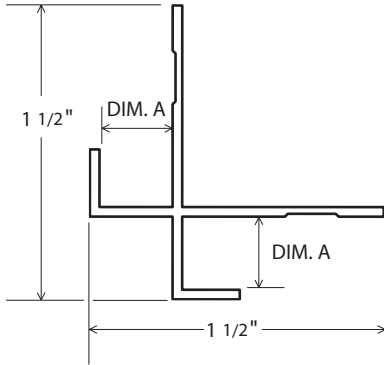




PRODUCT DETAIL :



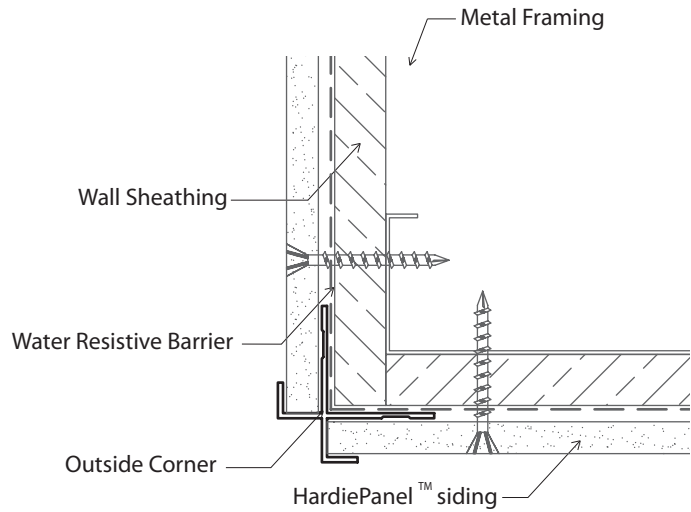
USAGE

Fry Reglet Outside Corner creates a straight and true, abuse resistant corner with exposed flanges that cover the vertical ends of the HardiePanel™ siding.

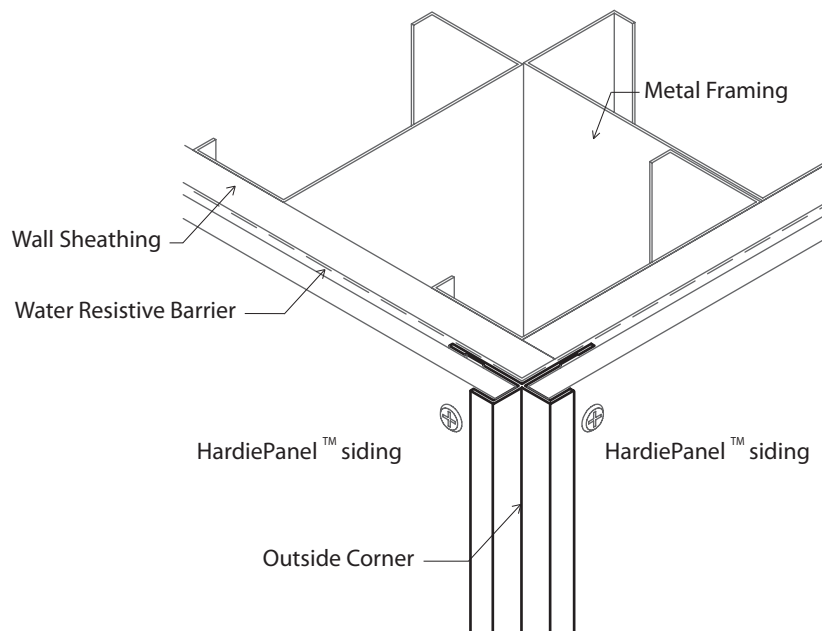
GUIDE SPECIFICATION

Where indicated on drawings, Fry Reglet Outside Corner, as manufactured by Fry Reglet Corporation, shall be installed. Aluminum shall be extruded alloy 6063 T5, with chemical conversion coating, unless otherwise specified.

INSTALLATION DETAIL : Cross Section



INSTALLATION DETAIL : ISO View



OUTSIDE CORNER SIZES

DIM. A REVEAL DEPTH	NUMBER
3/8"	FCP - OUTSIDE CNR

