

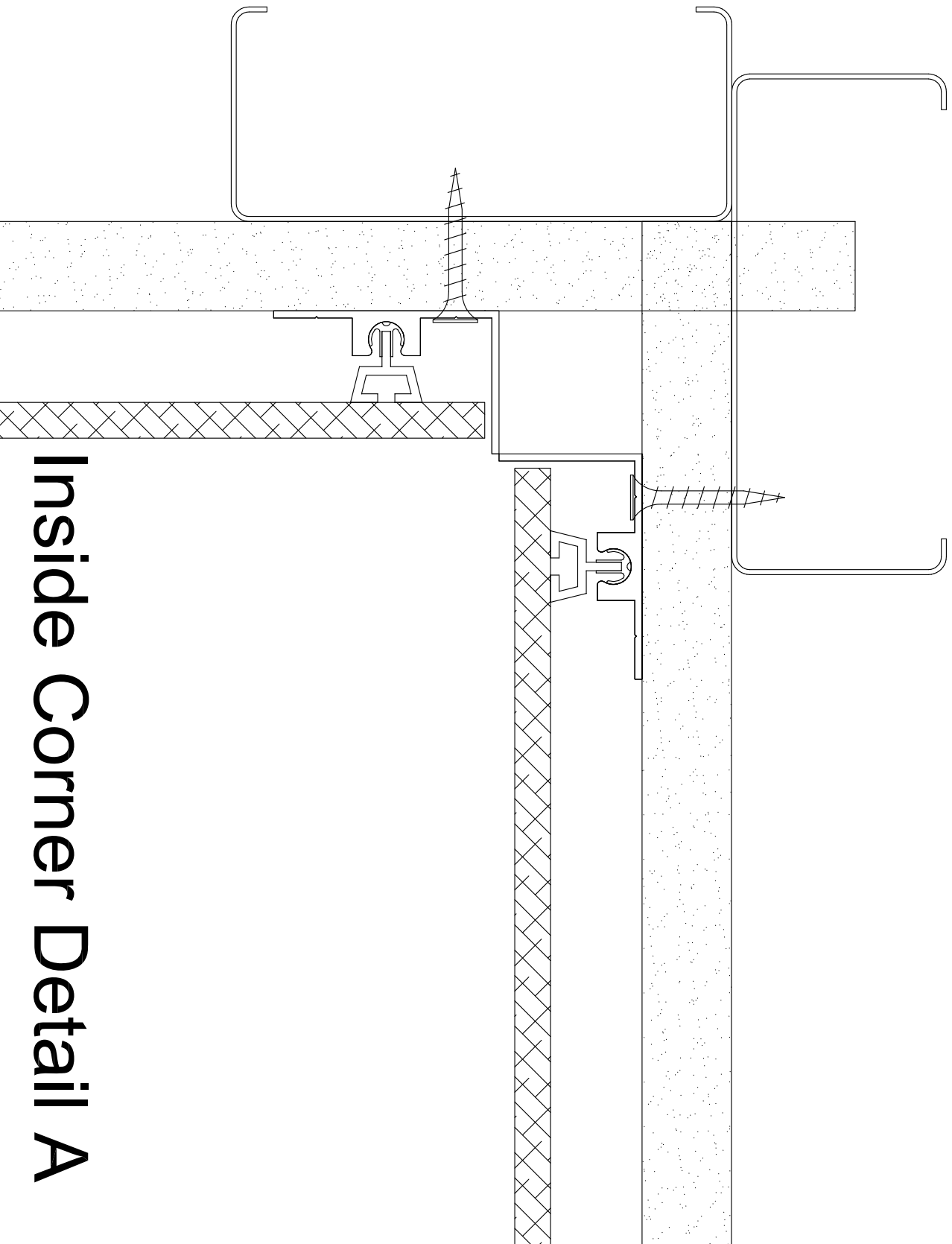
Typical Assembly Details

**FRY REGLET**  
 ARCHITECTURAL METALS  
 1377 Stonefield Court  
 Alpharetta, GA. 30004  
 www.fryreglet.com

770.521.9660  
 800.237.9773  
 770.521.9034

revels & moldings  
 column covers  
 roof flashings  
 specialty products  
 support

TITLE:	GRAPH	DATE:	11.5.2009
CAD FILE:		REV.:	#
:D:\drafting\GRAPH (Wall System)\Graph Xrefs and Details\Details\Standard Detail Glass		DRAWN BY:	MB
		SCALE:	N.T.S.
		SHEET: #	1 OF 7

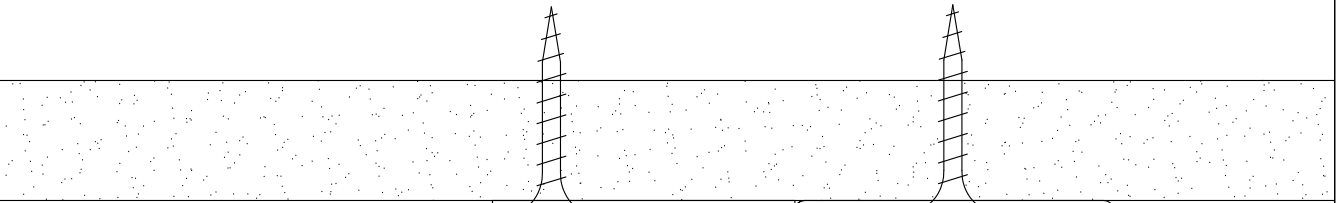
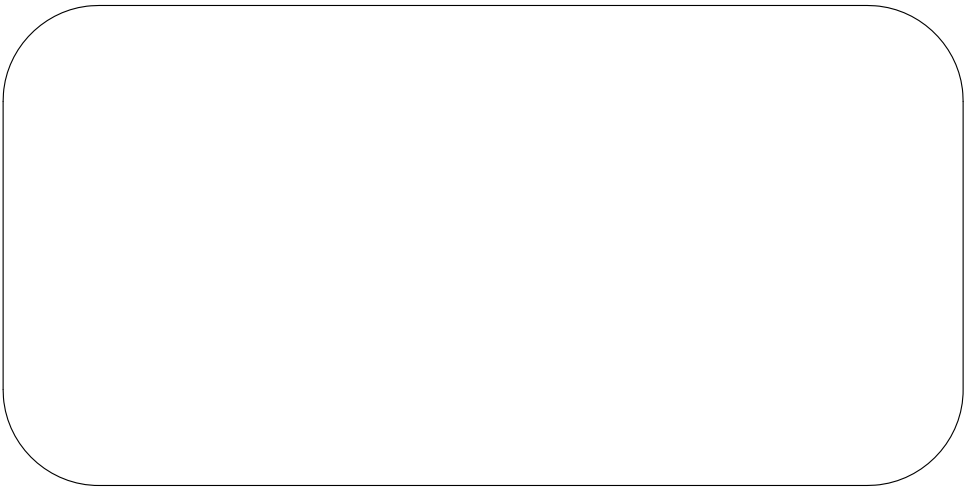


# Inside Corner Detail A

**FRY REGLET**  
 ARCHITECTURAL METALS  
 1377 Stonefield Court  
 Alpharetta, GA. 30004  
 www.fryreglet.com  
 t 770.521.9660  
 f 800.237.9773  
 f 770.521.9034

reveals & moldings  
 column covers  
 roof flashings  
 specialty products  
 support

TITLE:	GRAPH_GLASS	DATE:	11.5.2009
CAD FILE:		REV.:	#
I:\Drafting\GRAPH (Wall System)\Graph Xrefs and Details\Details\Standard Detail Glass		DRAWN BY:	MB
		SCALE:	N.T.S.
		SHEET: #	2 OF 7



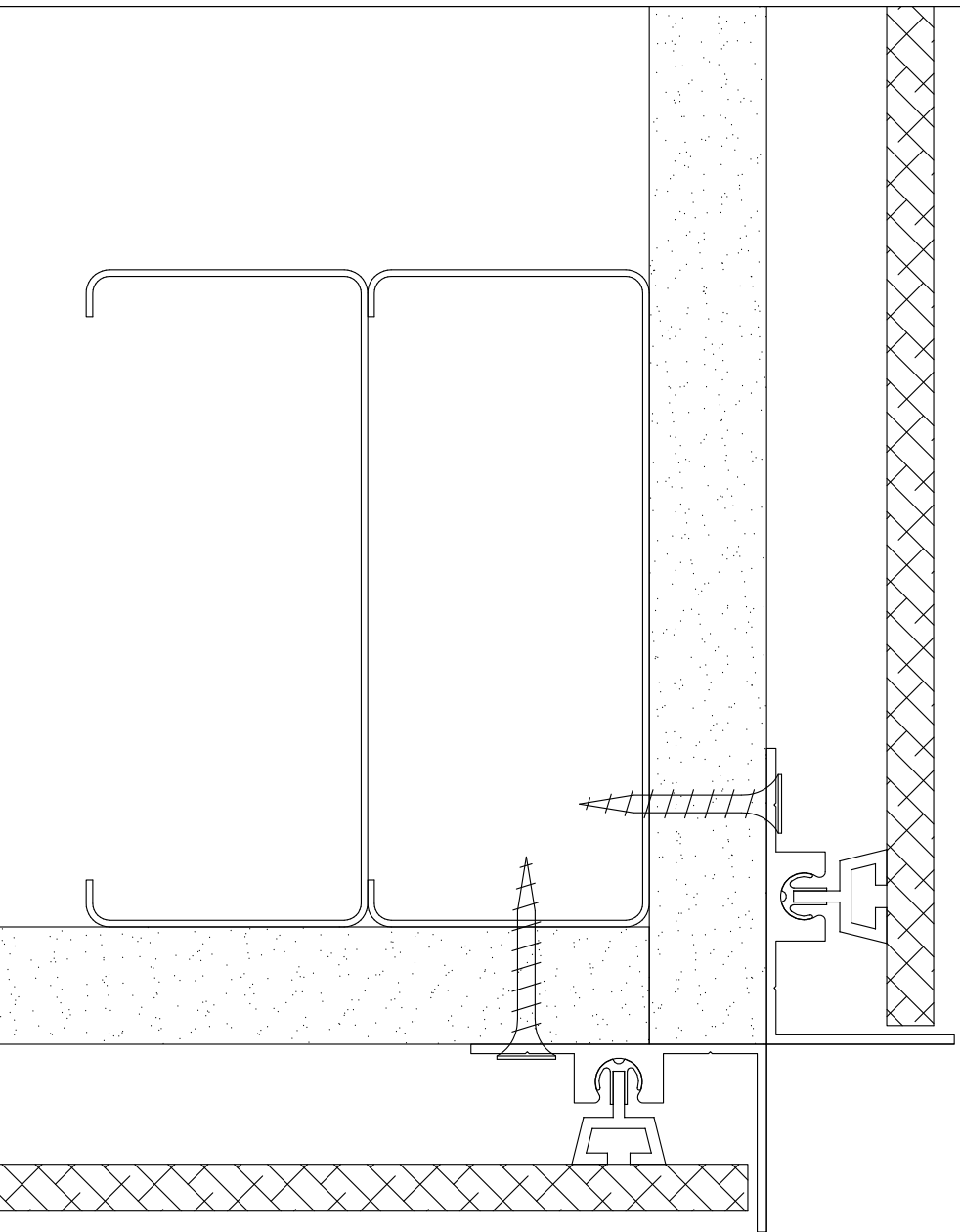
# Ceiling Detail B

**FRY REGLET**  
ARCHITECTURAL METALS  
1377 Stonefield Court  
Alpharetta, GA. 30004  
www.fryreglet.com

- revels & moldings
- column covers
- roof flashings
- specialty products
- support

DRAWING#:	GRAPH_GLASS	DATE:	11.5.2009
TITLE:	GRAPH_GLASS	REV.:	#
CAD FILE:	I:\Drafting\GRAPH (Wall System)\Graph Xrefs and Details\Details\Standard Detail Glass		
DRAWN BY:	MB	SCALE:	N.T.S.
SHEET: #	3	OF	7

# Outside Corner Detail C

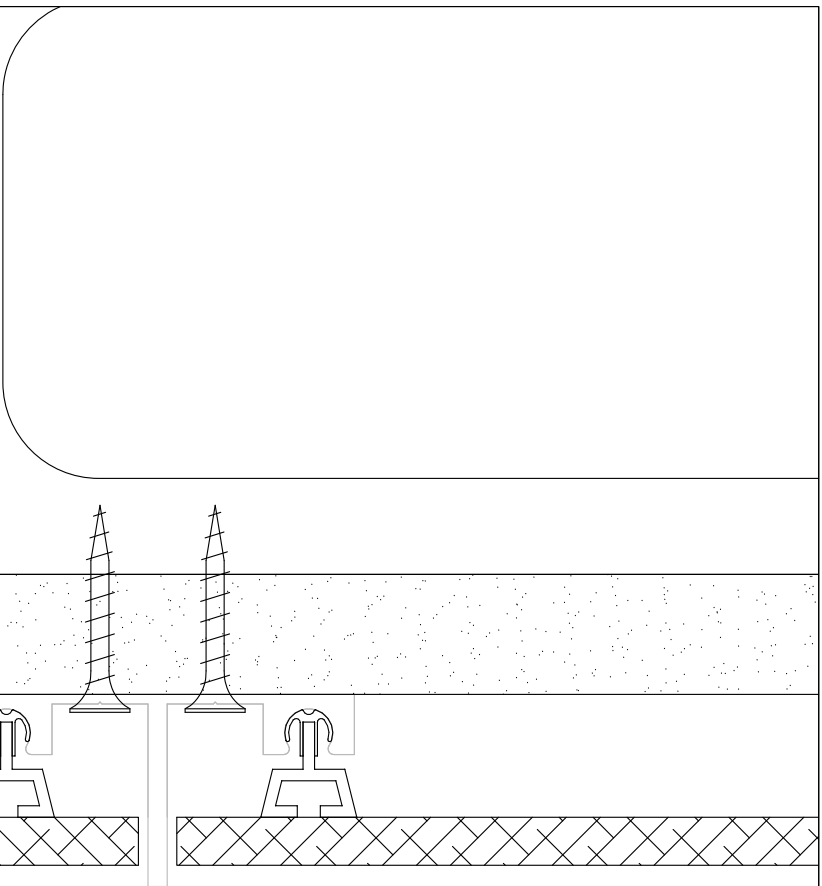


**FRY REGLET**  
ARCHITECTURAL METALS  
1377 Stonefield Court  
Alpharetta, GA. 30004  
www.fryreglet.com

770.521.9660  
800.237.9773  
770.521.9034

reveals & moldings  
column covers  
roof flashings  
specialty products  
support

TITLE:	GRAPH_GLASS	DATE:	11.5.2009
CAD FILE:		REV. #	
I:\Drafting\GRAPH (Wall System)\Graph Xrefs and Details\Details\Standard Detail Glass		DRAWN BY:	MB
SCALE:		SHEET: #	4 OF 7

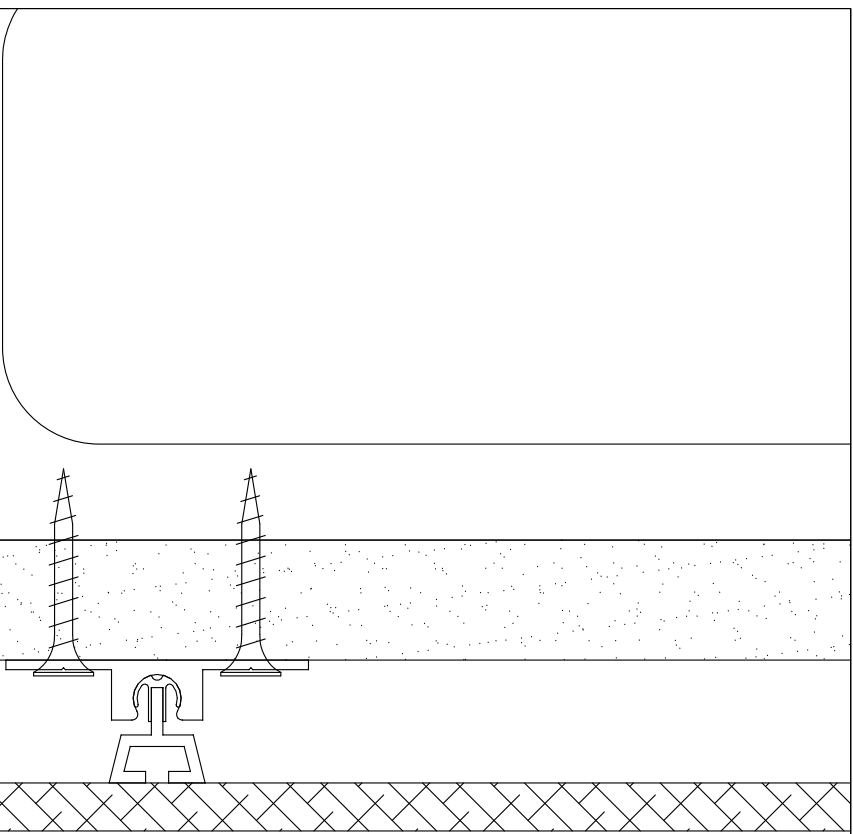


# Panel Retainer Detail D

**FRY REGLET**  
 ARCHITECTURAL METALS  
 1377 Stonefield Court  
 Alpharetta, GA. 30004  
 www.fryreglet.com

reveals & moldings  
 column covers  
 roof flashings  
 specialty products  
 support

TITLE:	GRAPH_GLASS	DATE:	11.5.2009
CAD FILE:		REV.:	#
I:\Drafting\GRAPH (Wall System)\Graph Xrels and Details\Details\Standard Detail Glass		DRAWN BY:	MB
		SCALE:	N.T.S.
		SHEET: #	5 OF 7



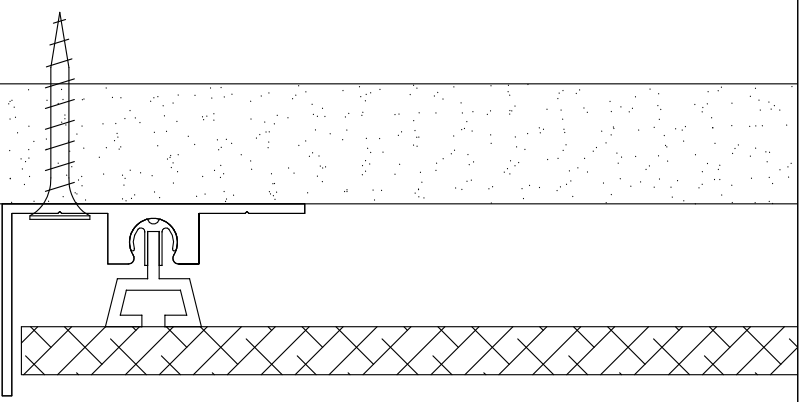
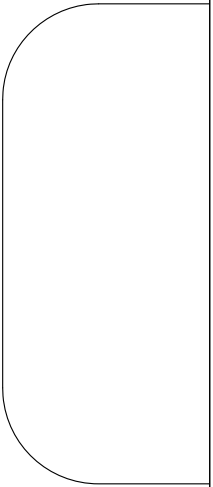
# Intermediate Detail E

**FRY REGLET**  
 ARCHITECTURAL METALS  
 1377 Stonefield Court  
 Alpharetta, GA. 30004  
 www.fryreglet.com

t 770.521.9660  
 f 800.237.9773  
 f 770.521.9034

revels & moldings  
 column covers  
 roof flashings  
 specialty products  
 support

TITLE:	GRAPH_GLASS	DATE:	11.5.2009
CAD FILE:		REV.:	#
I:\Drafting\GRAPH (Wall System)\Graph Xrefs and Details\Details\Standard Detail Glass		DRAWN BY:	MB
		SCALE:	N.T.S.
		SHEET: #	6 OF 7

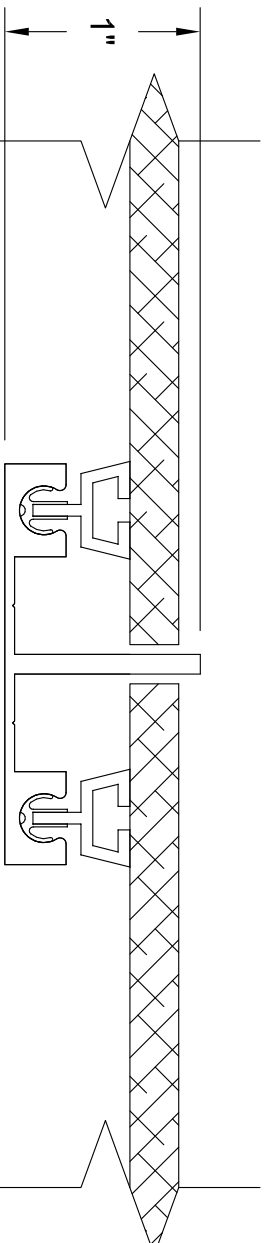


# Base Detail F

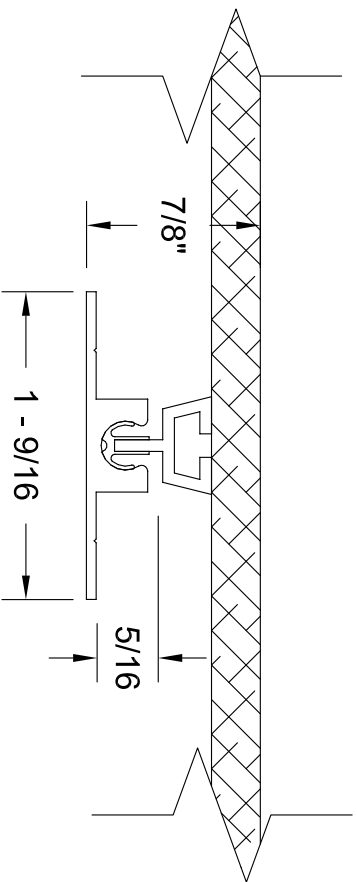
**FRY REGLET**  
ARCHITECTURAL METALS  
1377 Stonefield Court  
Alpharetta, GA. 30004  
www.fryreglet.com

- reveals & moldings
- column covers
- roof flashings
- specialty products
- support

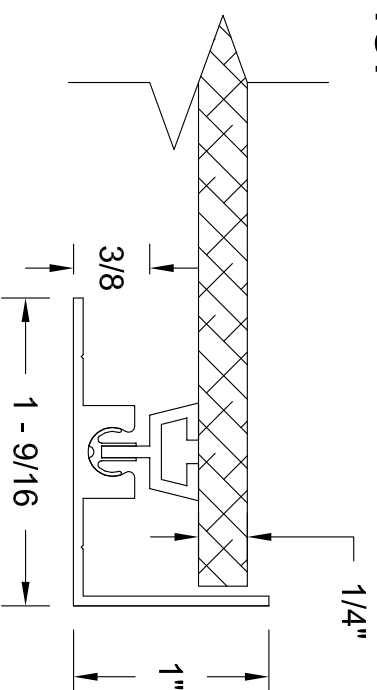
TITLE:	GRAPH_GLASS	DATE:	11.5.2009
CAD FILE:		REV. #	
I:\Drafting\GRAPH (Wall System)\Graph Xrels and Details\Details\Standard Detail Glass.swg		DRAWN BY:	MB
		SCALE:	N.T.S.
		SHEET: #	7 OF 7



Panel Retainer



Intermediate Retainer



Starter Retainer

**FRY REGLET**  
 ARCHITECTURAL METALS  
 1377 Stonefield Court  
 Alpharetta, GA. 30004  
 www.fryreglet.com

+ reveals & moldings  
 O column covers  
 roof flashings  
 specialty products  
 support

t 770.521.9660  
 f 800.237.9773  
 f 770.521.9034

TITLE:	GRAPH GLASS	DATE:	11.5.2009
CAD FILE:	[I:\Drafting\GRAPH (Wall System)\Graph Xrets and Details\Details\Standard Detail Glass	REV.:	#
		DRAWN BY:	MB
		SCALE:	N.T.S.
		SHEET: #	