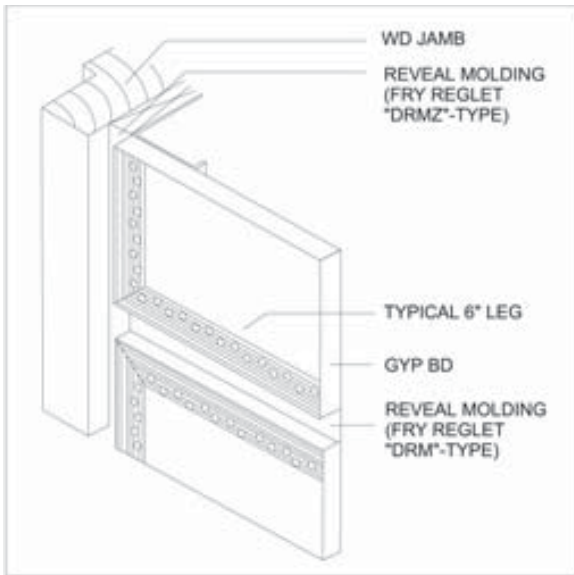


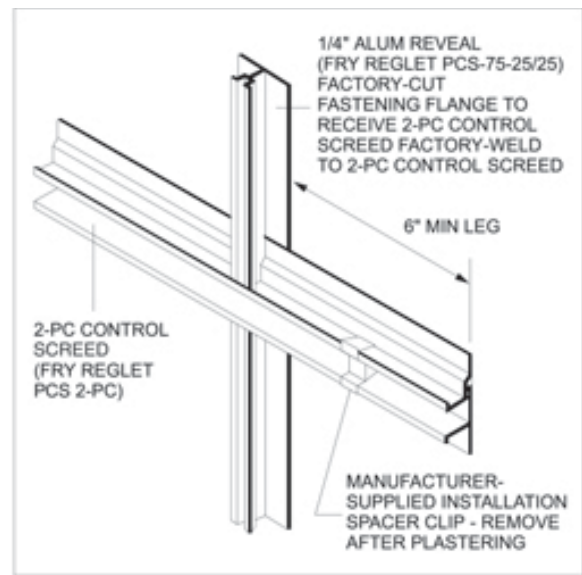
FACTORY FABRICATED INTERSECTIONS

Presented as examples of ways Factory Fabricated Intersections can be used to speed installation and reduce costs

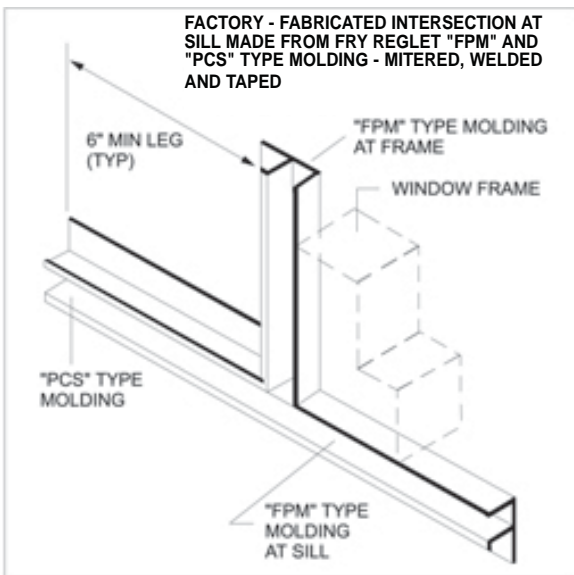
DRM/DRMZ INTERSECTION AT DOORJAMB



PCS/PCS 2-PC INTERSECTION



FPM/PCS WINDOW SILL REVEAL



XCM/PCS CORNER/INTERSECTION

