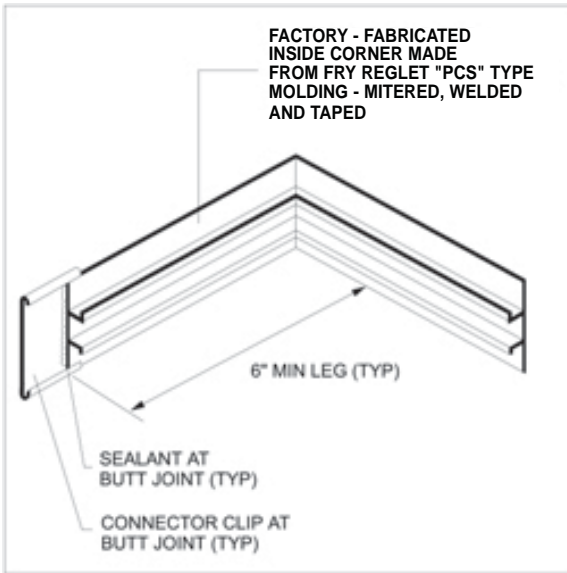


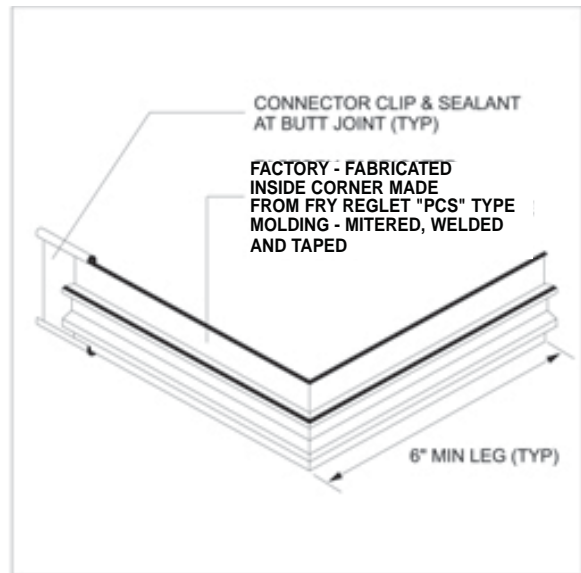
FACTORY FABRICATED INTERSECTIONS

Presented as examples of ways Factory Fabricated Intersections can be used to speed installation and reduce costs

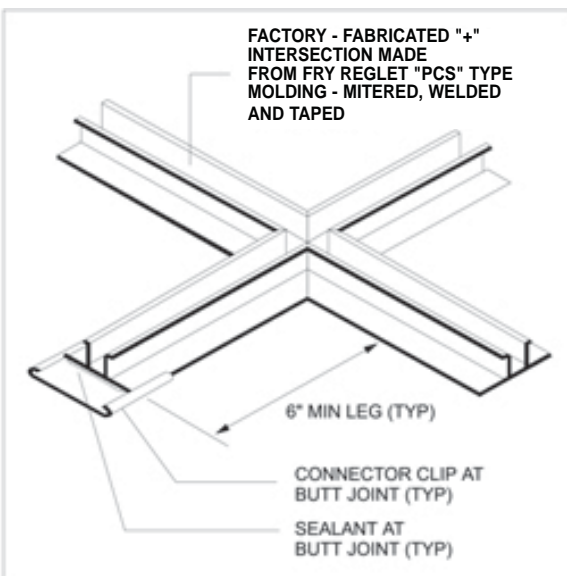
PCS CHANNEL REVEAL INSIDE CORNER



PCS CHANNEL REVEAL OUTSIDE CORNER



PCS CHANNEL REVEAL "+" INTERSECTION



PCS CHANNEL REVEAL "T" INTERSECTION

