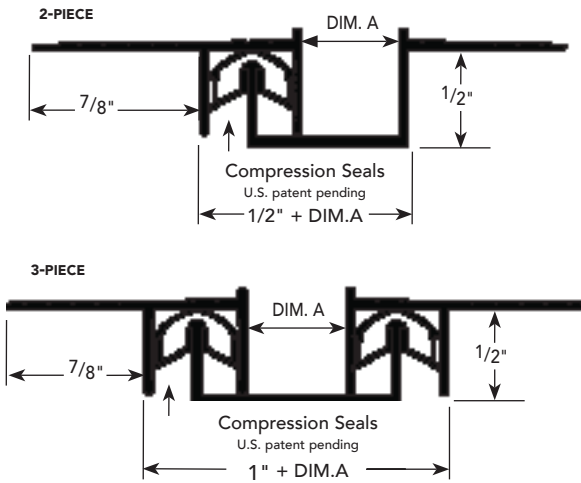


PRODUCT DETAIL :



USAGE

Fry Reglet Control Joint is used in long drywall runs to prevent cracking of drywall joints caused by minor settling in normal building conditions. Continuous compression seal prevents air and dirt infiltration through joint. Forms an attractive reveal consistent with detailing offered by other Fry Reglet moldings. The Fry Reglet Control Joint allows for $\frac{3}{16}$ " of movement.

GUIDE SPECIFICATION

Where indicated on drawings, Fry Reglet Control Joint, as manufactured by Fry Reglet Corporation, shall be installed. Aluminum shall be extruded alloy 6063 T5, with chemical conversion coating, clear anodized or other specified finish. Refer to finish section.

CONTROL JOINT SIZES

GROUND	DIM. A REVEAL WIDTH	NUMBER	
		2-PIECE	3-PIECE
1/2"	1/4"	DRM-50-25 2-PC	-
1/2"	1/2"	DRM-50-50 2-PC	DRM-50-50 3-PC
1/2"	3/4"	DRM-50-75 2-PC	DRM-50-75 3-PC
1/2"	1"	-	DRM-50-100 -PC
1/2"	1 1/2"	DRM-50-150 2-PC	DRM-50-150 3-PC

INSTALLATION DETAIL : Cross Section

