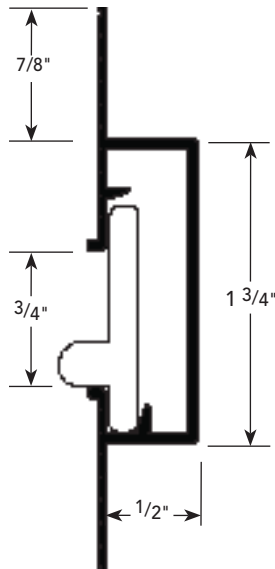
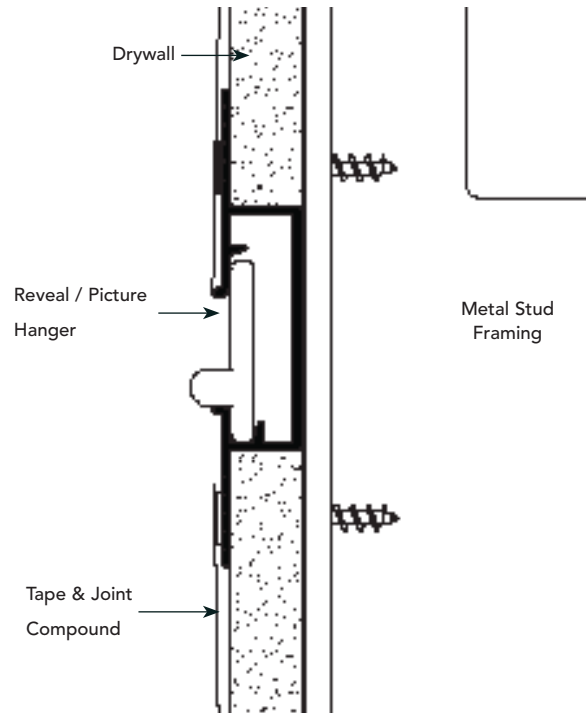


PRODUCT DETAIL :



INSTALLATION DETAIL : Cross Section



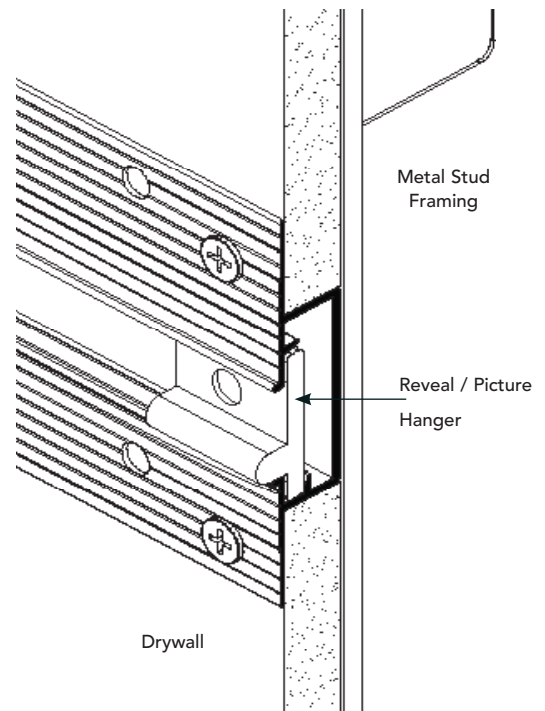
USAGE

Fry Reglet Reveal/Picture Hanger creates a reveal in drywall which can be used as a heavy duty picture hanger track for galleries, commercial interiors or residences. Snap-in picture hanger clip has a hole for picture wire to support artwork and to avoid damage to molding. 1" wide clips can easily be moved or removed if artwork is rearranged or taken down.

GUIDE SPECIFICATION

Where indicated on drawings, Fry Reglet Reveal/Picture Hanger, as manufactured by Fry Reglet Corporation, shall be installed. Aluminum shall be extruded alloy 6063 T5, with chemical conversion coating, clear anodized or other specified finish. Refer to finish section.

INSTALLATION DETAIL : ISO View



REVEAL/PICTURE HANGER SIZE

REVEAL WIDTH	NUMBER
3/4"	DRMH-50

\*Hanger clips (DRMH-50 insert) sold separately.

Note: Maximum capacity per hanger clip is 75 pounds.