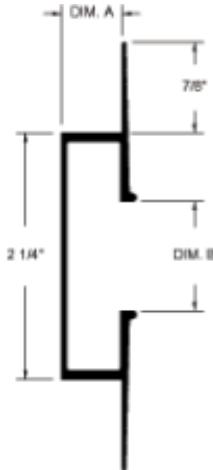


## Contemporary Reveal Molding

### PRODUCT DETAIL : 3/4 Scale



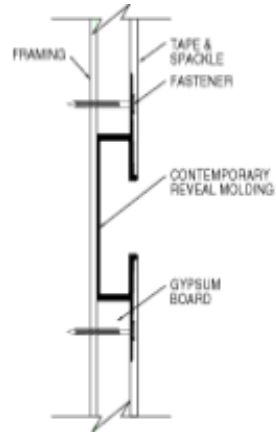
#### USAGE

Fry Reglet Contemporary Reveal Molding provides an attractive vertical or horizontal recess in drywall that creates the illusion the panels are "floating" in space.

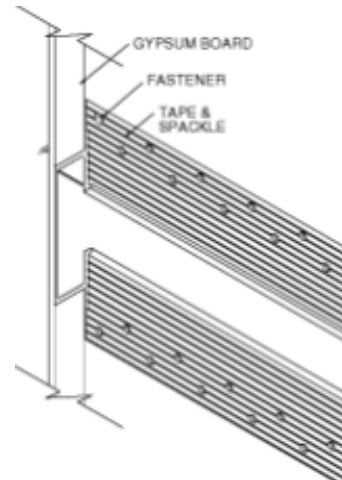
#### GUIDE SPECIFICATION

Where indicated on drawings, Fry Reglet Contemporary Reveal Molding as manufactured by Fry Reglet Corporation, shall be installed. Aluminum shall be extruded alloy 6063 T5, with chemical conversion coating, unless otherwise specified.

### INSTALLATION DETAIL : Cross Section



### INSTALLATION DETAIL : Perspective



### CONTEMPORARY REVEAL SIZES

DIM. A REVEAL DEPTH	DIM. B REVEAL WIDTH	NUMBER
1/2"	1/2"	CDRM-50-50
1/2"	5/8"	CDRM-50-625
1/2"	3/4"	CDRM-625-75
1/2"	1"	CDRM-50-100
5/8"	1/2"	CDRM-625-50
5/8"	5/8"	CDRM-625-625
5/8"	3/4"	CDRM-625-75
5/8"	1"	CDRM-625-100

Patent no. 452,016