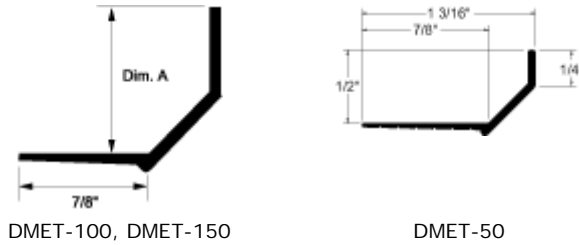


Edge Trim

PRODUCT DETAIL : Full Scale



USAGE

Fry Reglet Edge Trim is used with multiple layers of drywall to provide angled transition between finish layers. Provides attractive trim for recessed or raised panels.

GUIDE SPECIFICATION

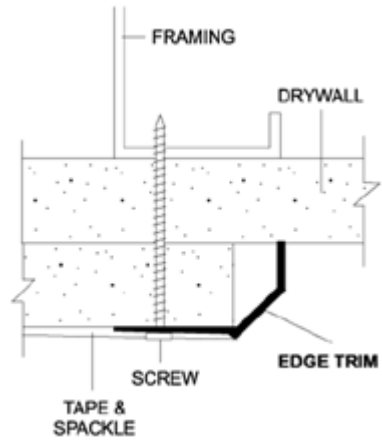
Where indicated on drawings, Fry Reglet Edge Trim, as manufactured by Fry Reglet Corporation, shall be installed. Aluminum shall be extruded alloy 6063 T5, with chemical conversion coating, unless otherwise specified.

EDGE TRIM SIZES

DIM. A - TRIM DEPTH	NUMBER
1/2" ^	DMET-50
1" ~	DMET-100
1 1/2" *	DMET-150

^ Additional layer of 1/2" drywall
 ~ Two additional layers of 1/2" drywall
 * Three additional layers of 1/2" drywall

INSTALLATION DETAIL : Cross Section



INSTALLATION DETAIL : Perspective

